

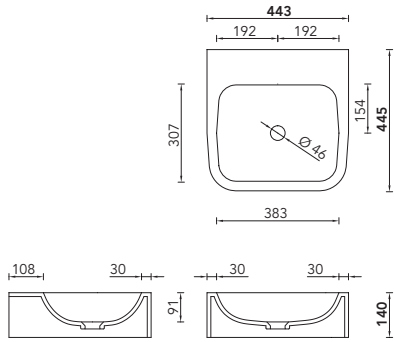
CURVA® SURFACE-MOUNTED BASIN ASCU



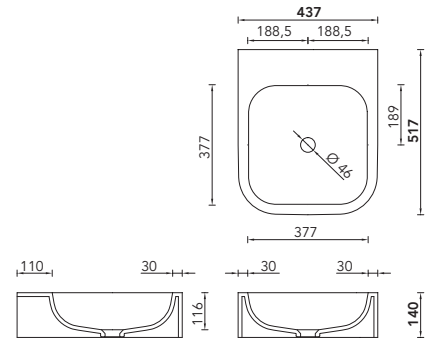
NOTES

- › surface-mounted basin
- › available with or without overflow
- › available in all Corian colors
- › suitable for all the common types of drain fittings (installed by the customer)
- › milling templates and DXF data available on request
- › inside corners with radius on all sides
- › surface-mounted basins with a lip on three sides, open at the back
- › on request prebored for the customer to install mixer taps

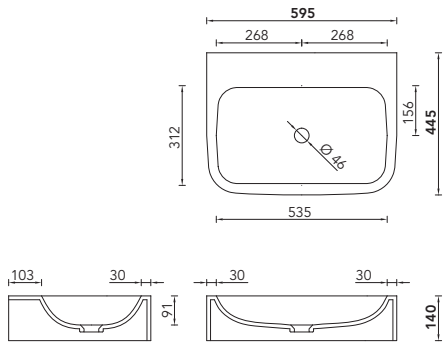
ASCU-37



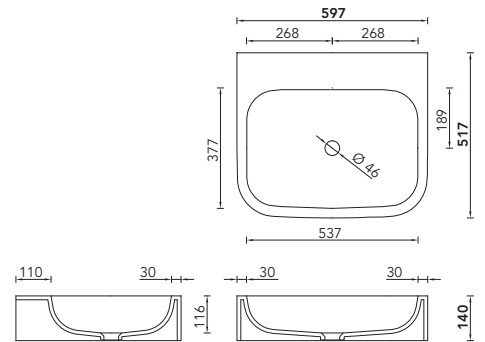
ASCU-38



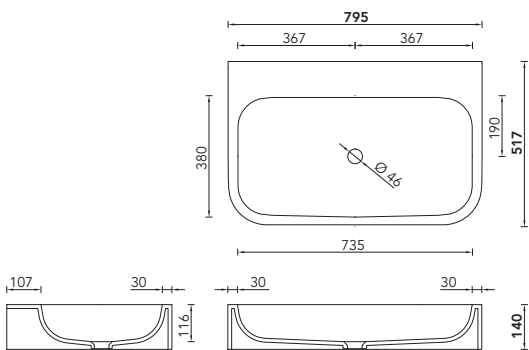
ASCU-52



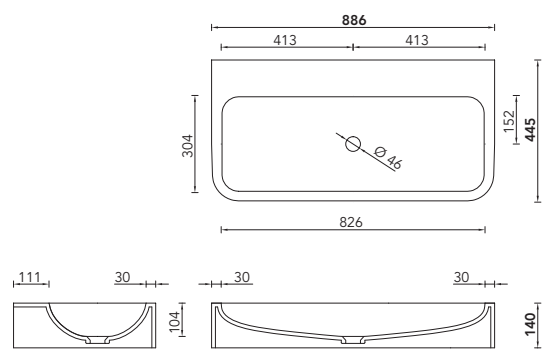
ASCU-53



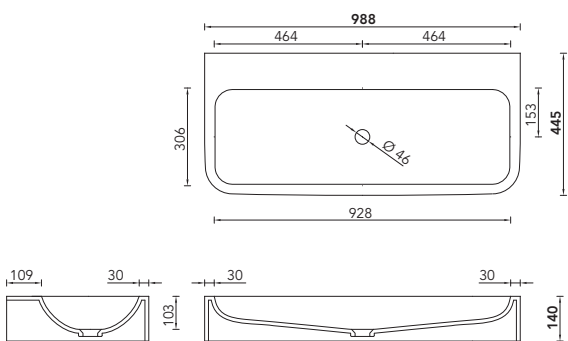
ASCU-73



ASCU-82



ASCU-92



ASCU-103

