

# CURVA® SURFACE-MOUNTED BOWL SCU

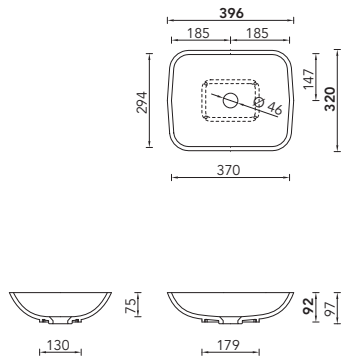


## NOTES

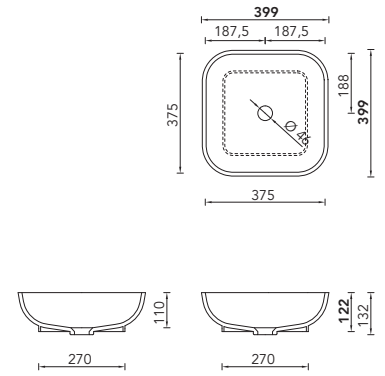
---

- › surface-mounted bowl
  - › available with or without overflow
  - › available in all Corian colors
  - › structured colors may exhibit some paling on the outside
  - › suitable for all the common types of drain fittings (installed by the customer)
  - › milling templates and DXF data available on request
  - › standard edge: 12 mm
  - › edge flattened to 6 mm also available at extra cost
- › Corian drain covers are also available for basins of type SCU-37, SCU-52, SCU-82 and SCU-92 (in Switzerland these types of basin with drain covers are available only after consultation)

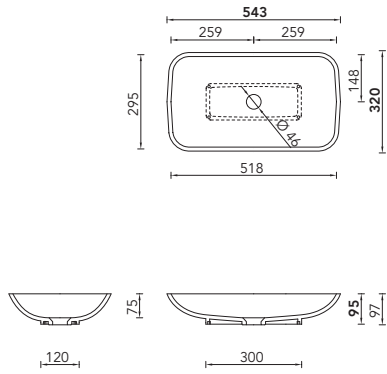
SCU-37



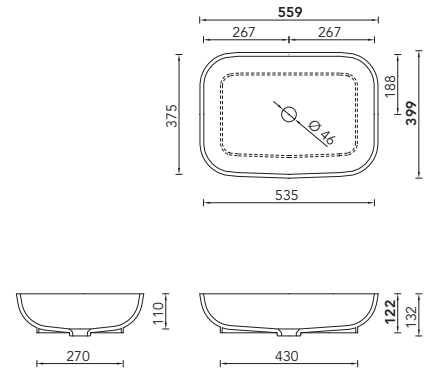
SCU-38



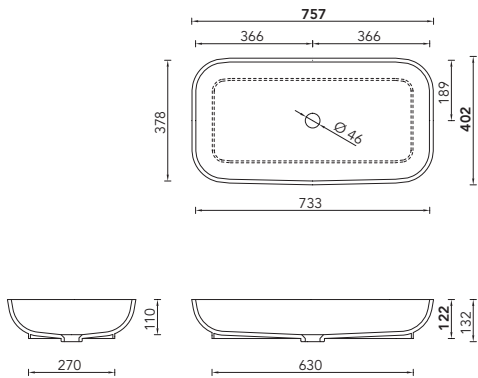
SCU-52



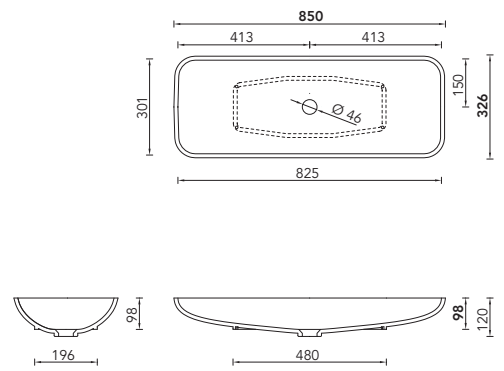
SCU-53



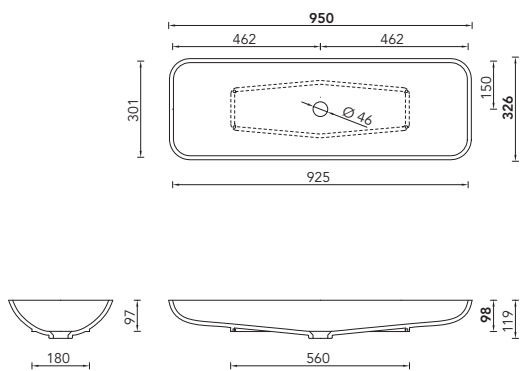
SCU-73



SCU-82



SCU-92



SCU-103

