

# FONTANA FR ROUND SHAPES

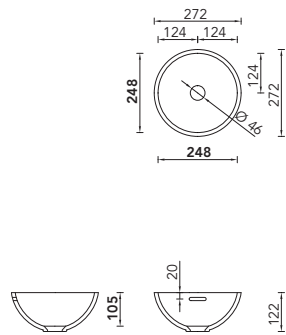


## NOTES

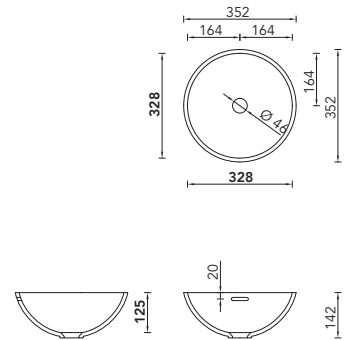
---

- › subsurface-mounted washbasins
- › available in all Corian colors
- › available with or without overflow
- › suitable for all the common types of drain fittings (installed by the customer)
- › milling templates and DXF data available on request
- › outer shell available where outside of basin is visible

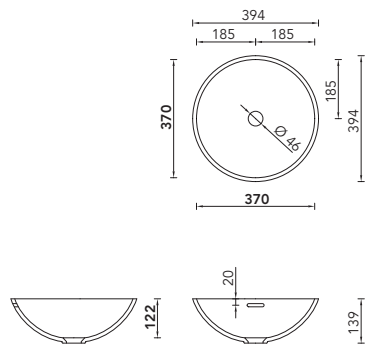
FR-25



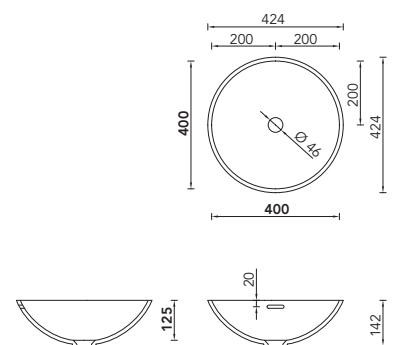
FR-32



FR-38



FR-40



FR-45

