

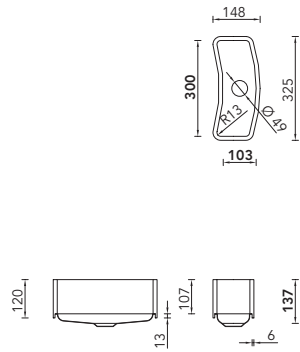
FONTANA FSP ROUND SHAPES



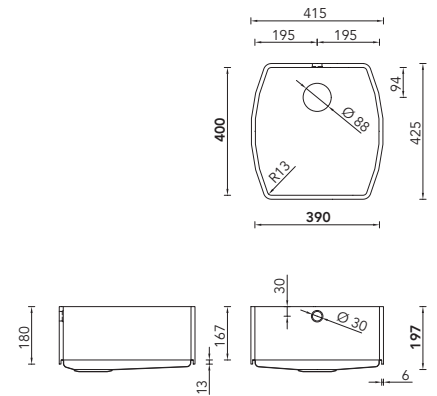
NOTES

- › available in all Corian colors
- › wall thickness: 12 mm
- › available with or without overflow
- › milling templates and DXF data available on request
- › inside corners with radius on all sides
- › heat-proof stainless-steel bottom
- › including drain fitting, operated by hand or eccentric
- › The FSP-12 sink is available only WITHOUT overflow and with hand-operated drain fitting!

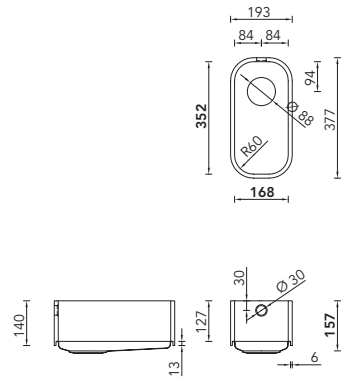
FSP-12



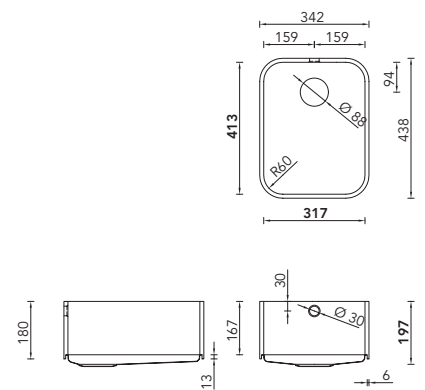
FSP-40



FSP-853



FSP-851



FSP-41

