

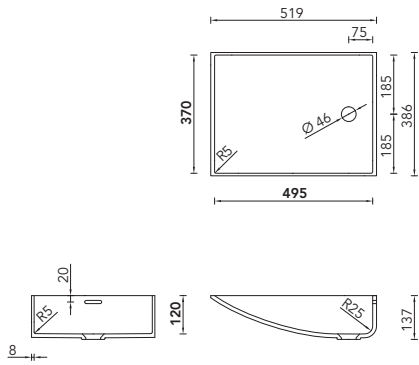
FONTANA FW CURVED SHAPES



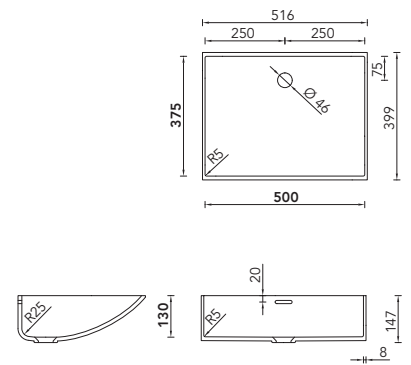
NOTES

- › subsurface-mounted washbasins
- › available in all Corian colors
- › available with or without overflow
- › suitable for all the common types of drain fittings (installed by the customer)
- › milling templates and DXF data available on request
- › inside corners with radius on all sides

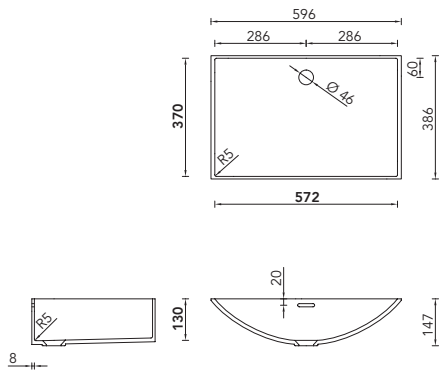
FWS-50



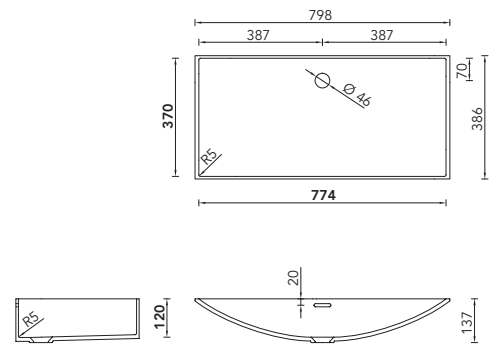
FWM-50



FW-60



FW-80



FW-110

